

## 3/8" ROUND HEAD RATCHET | E031701

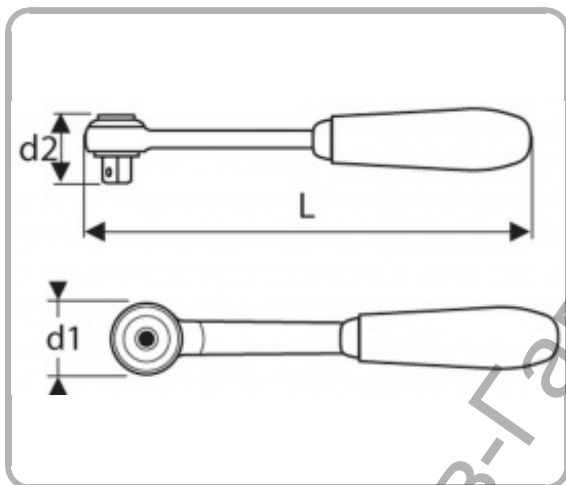


### Description

- ISO 3315 - DIN 3122 - ISO 1174-1
- 72 tooth mechanism.
- 5° increment.
- Compact head.
- High Chrome finish.
- Ergonomic bimaterial handle.

### Information

<b>EAN</b>	3258950317014
<b>d1 [mm]</b>	34.5
<b>d2 [mm]</b>	31.6
<b>L [mm]</b>	199
<b>Conditioning</b>	10
<b>[g]</b>	250



Ташев-Галвинг ООД  
www.tashev-galving.com